

Specifications

For other materials or modifications, please consult TESCOM.

FLUID MEDIA

For corrosive gases and gas mixtures.
For calibration gases with corrosive content.

OPERATING PARAMETERS

Maximum Inlet Pressure

2900 psig / 200 bar

Outlet Pressure Range

7.3-22, 7.3-58, 14.5-102, 14.5-145 psig
0.50-1.5, 0.50-4.0, 1.00-7.0, 1.00-10.0 bar

Leakage Rate Against Atmosphere

10^{-8} mbar l/s He (for each connection)

Nominal Flow

10 m³/h (acc. to pressure and used gas)

44-2200 Series Regulator: $C_V = 0.06$

44-2800 Series Regulator: $C_V = 0.16$

44-3400 Series Regulator: $C_V = 0.05$

Options

Shut-off valve at outlet dual stage

Also available as absolute pressure 44-46 Series

MEDIA CONTACT MATERIALS

Body

316L Stainless Steel

Diaphragm

316L Stainless Steel and Nickel Alloy (Hastelloy®)

OTHERS

Inlet Port

According to National Standard

Outlet Port

Regulator: 1/4" NPTF Female

Valve: G 1/8" Female

Connections

6 mm compression fitting

Hastelloy® is a registered trademark of Haynes International, Inc.



TESCOM WEGA Corrosive Gases and Purging cylinder pressure regulators are designed with a captured bonnet for use with corrosive gases and gas mixtures (based on the highly reliable 44-2200 and 44-2800 Series regulator technology). Dual-stage version is available.

Applications

- Reduction of high pressure gases in storage cylinders to a low operating pressure
- Suitable for inert gas purging

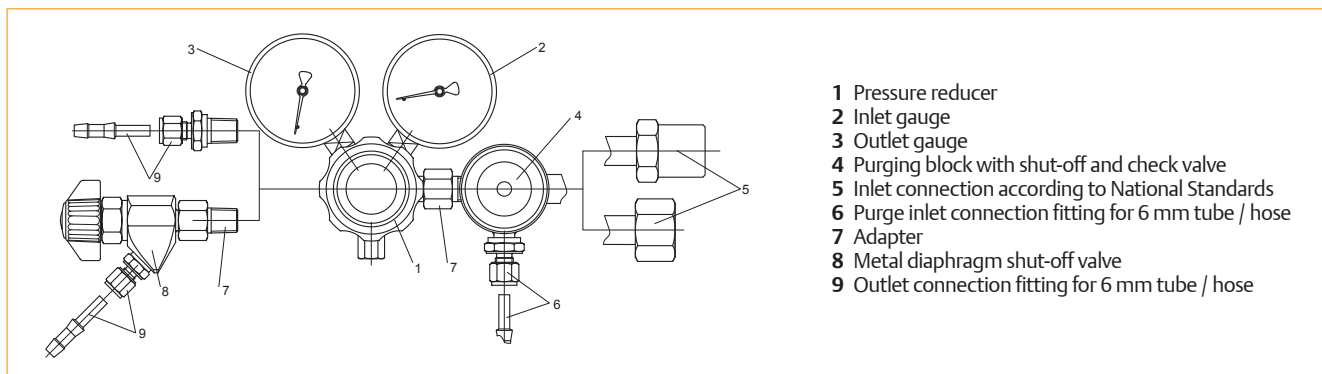
Features and Benefits

- Captured bonnet for the use of corrosive gases, leak-tight construction, safe and reliable
- Effective purging due to integrated shut-off valve and check valve, low purge gas consumption, minimized risk of corrosion
- Based on 44-2200 and 44-2800 Series regulators
- Dual-stage version available as an option (44-3400 Series)
- Multiple outlet connections are available

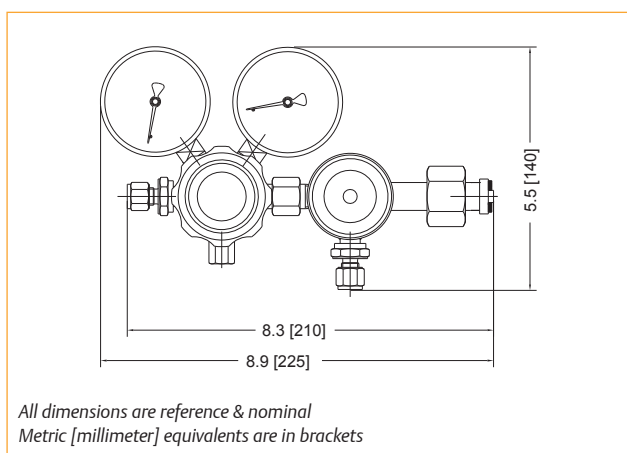
WEGA CORROSIVE GASES & PURGING

WEGA Corrosive Gases and Purging Regulator Drawing

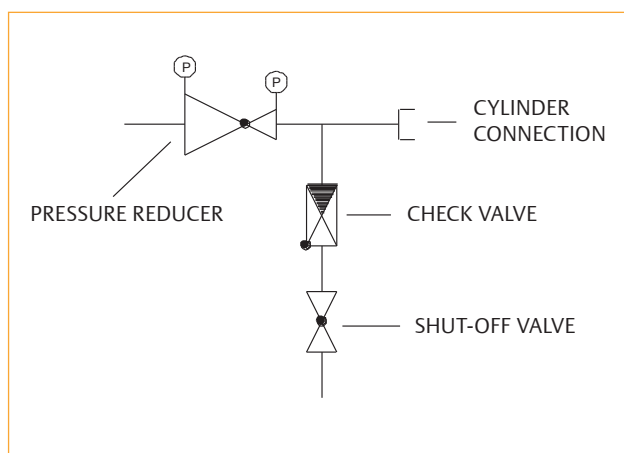
Assembly Drawing



Dimensional Drawing



Functional Drawing



WEGA Corrosive Gases and Purging Regulator Part Number Selector

Repair Kits, Accessories & Modifications may be available for this product. Please contact TESCOM for more information.

Example for selecting a part number:

D43276 - NS - 05 - C 1 K

BASIC SERIES	INLET CONNECTION DEPENDS ON NATIONAL STANDARDS	OUTLET PRESSURE PORT	REGULATOR	OUTLET PRESSURE RANGE	INLET PRESSURE PORT
D43276	Available inlet connectors / Cylinder valve standards: DIN 477-1 - 2900 psig / 200 bar Germany DIN 477-5 - 4351 psig / 300 bar Germany NEN 3268 Netherlands BS 341 U.K. AFNOR / NF E 29-650 France CGA-V1 U.S.A. UNI 11144 Italy	00 - 1/4" NPTF Female 05 - 6 mm fitting with 6 mm hose connector 62 - Diaphragm shut-off valve with 6 mm fitting and 6 mm hose connector	A - 44-22 for NH ₃ , SO ₂ , NO and calibration gas C - 44-28 for CL ₂ , HCL, H ₂ S	1 - 7.3-22 psig 0.50-1.5 bar 2 - 7.3-58 psig 0.50-4.0 bar 3 - 14.5-102 psig 1.00-7.0 bar 4 - 14.5-145 psig 1.00-10.0 bar	Without - Hand tightening nut with O-Ring seal K - Hexagon coupling nut, Stainless Steel, with flat gasket CL ₂ , HCL, NO, H ₂ S and calibration gas M - Monel Hexagon coupling nut, (available only for DIN connections number 6 and 7)
<i>Note: For other standards, please consult TESCOM.</i>					

- Please specify gas to identify inlet connector according to national standards.
 - For gas mixtures, please consult your gas supplier for the connection number or cylinder valve thread.
 - Please reference "Cylinder Valve Connections" in the TESCOM catalog for additional information.