

BOURDON TUBE PRESSURE GAUGES

Type: 7221

Case diameter: 100 MM



Glycerine Filled Stainless steel DN100 Bottom Entry

Materials

Case:	Stainless steel AISI-304 Bayonet ring: polished stainless steel AISI-304
Window:	Laminated safety glass
Dial:	White aluminium Individual serial number for traceability
Pointer:	Black aluminium
Pressure connection:	SS-AISI-316L, G 1/2", 22 mm flats
Measuring element:	Bourdon tube, Stainless steel AISI-316L
Movement:	Stainless steel AISI-304 with min. and max. stops.

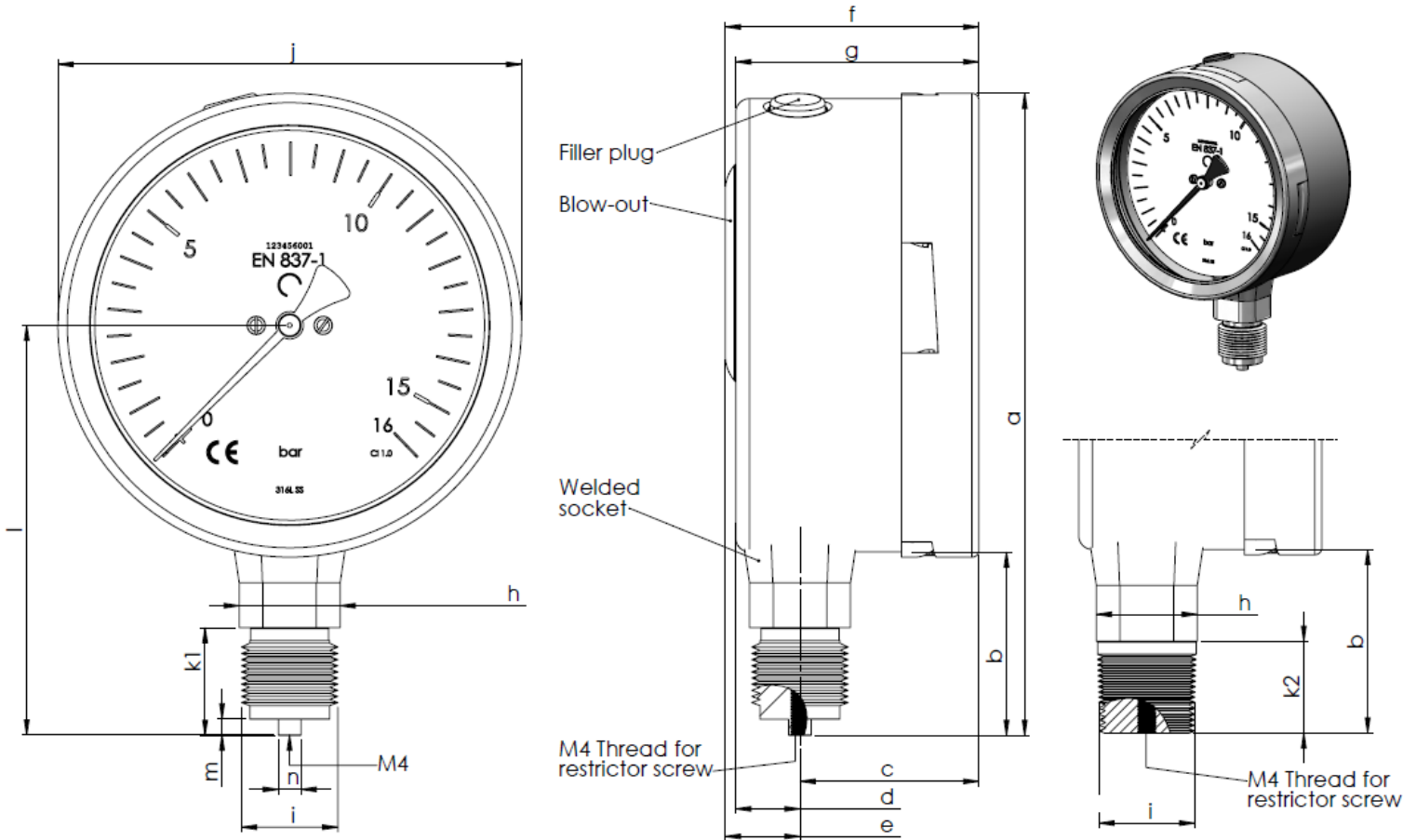
Technical Specifications

Socket:	welded to case 1/2" BSP Male / Stainless steel AISI-316L 1/2" NPT Male / Stainless steel AISI-316L includes internal thread to mount restrictor screw for pulsation dampening
Temperature range:	Ambient: -20 ... +65 °C Process: + 100°C maximum
Accuracy class:	cl. 1.0 to the full scale value
Blow-out protection:	yes: rear mounted with compensation diaphragm
Individual Weight:	0.528 kg
Range:	0-1600 Bar

BOURDON TUBE PRESSURE GAUGES

Type: 7221

Case diameter: 100 MM



Dim.	Type	a	b	c	d	e	f	g	h	i	j	k1	k2	l	m	n	Weight
Metric [mm]	BSP	140	40	39	14	16.3	55.3	53	Hex 22	1/2"	101	23.5	---	89	3.5	4.95	0.57 kg
US [inch]		5.5	1.57	1.54	0.55	0.64	2.18	2.09		1/2"	BSP	3.98	0.93	---	3.5	0.14	0.195
Metric [mm]	NPT	140	40	39	14	16.3	55.3	53		1/2"	101	---	20	89	---	4.95	0.57 kg
US [inch]		5.5	1.57	1.54	0.55	0.64	2.18	2.09		1/2"	NPT	3.98	---	0.79	3.5	---	0.195