

FIGURE A (NO GAUGE PORTS) FIGURE B (2 GAUGE PORTS)

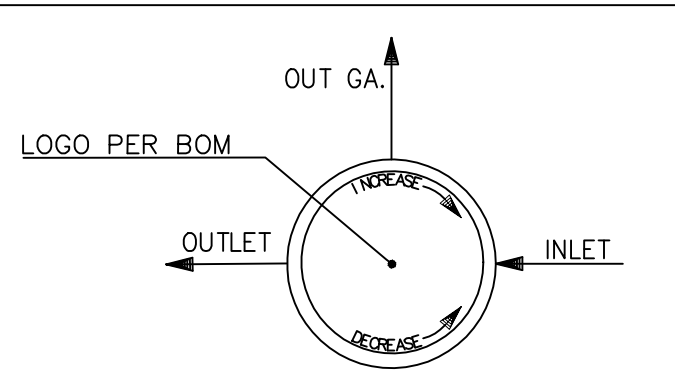


FIGURE C (1 GAUGE PORT)

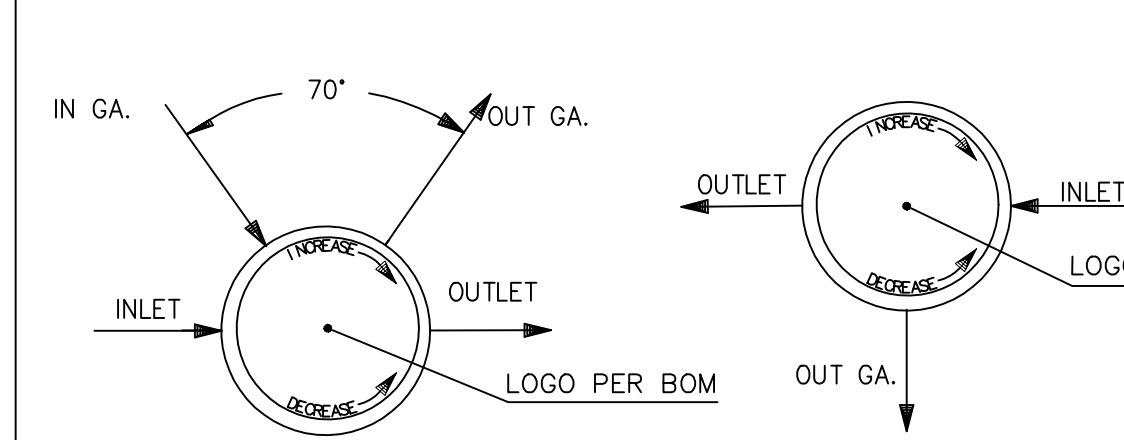


FIGURE D (2 GAUGE PORTS) FIGURE E (1 GAUGE PORT)

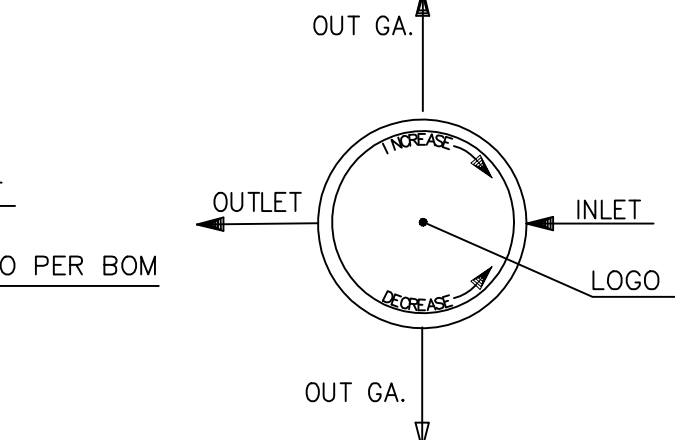


FIGURE F (2 GAUGE PORTS)

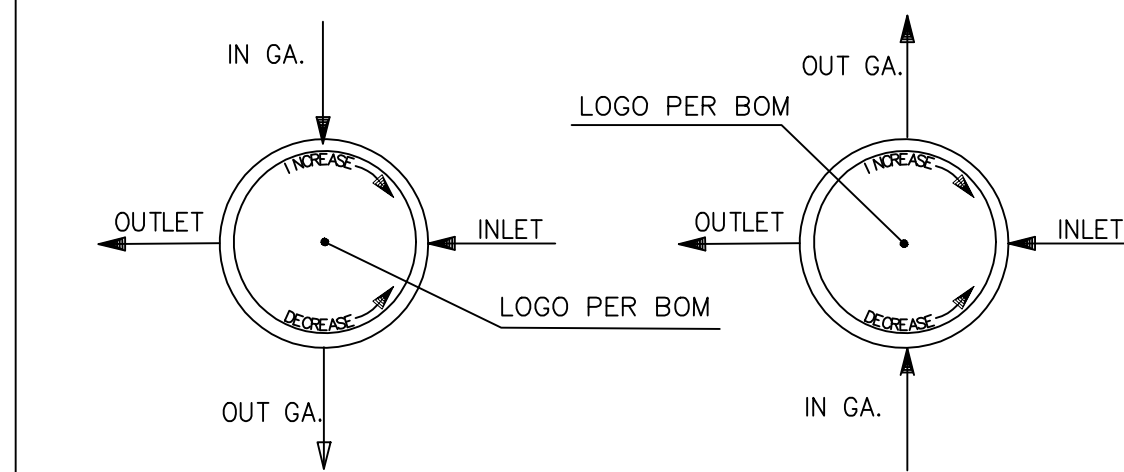
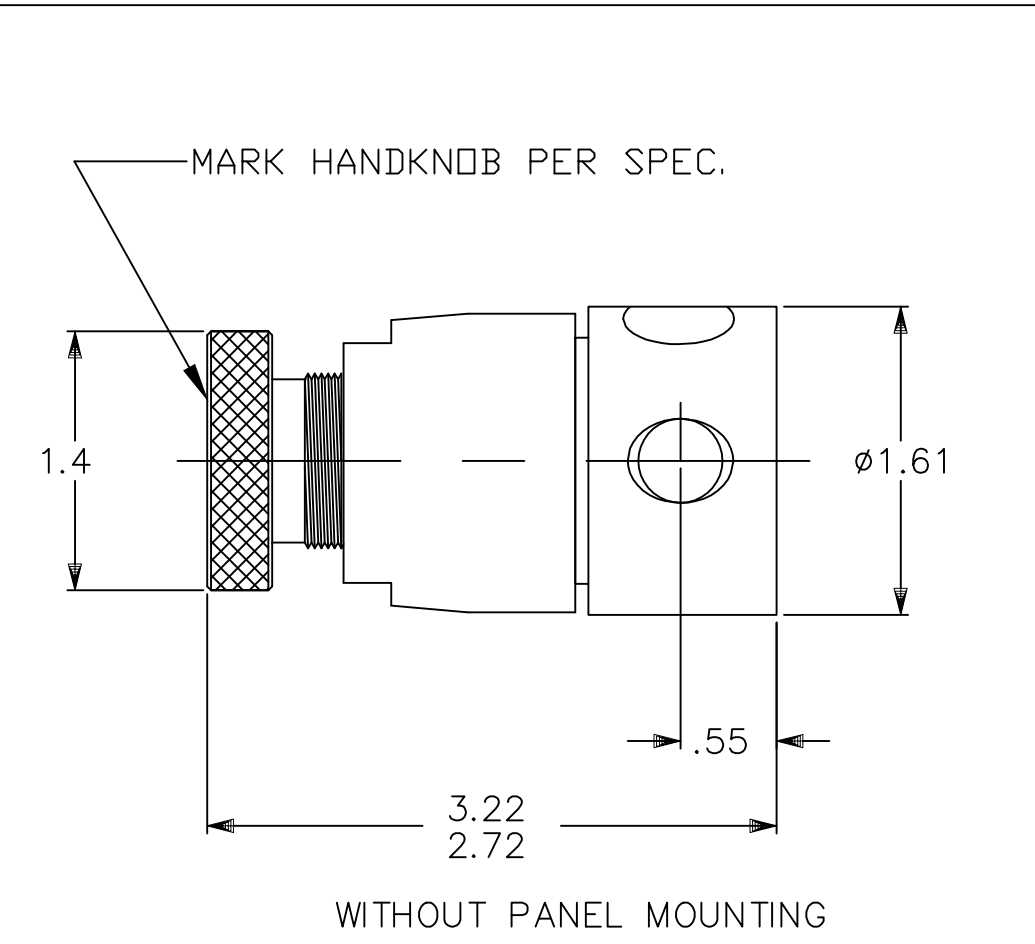
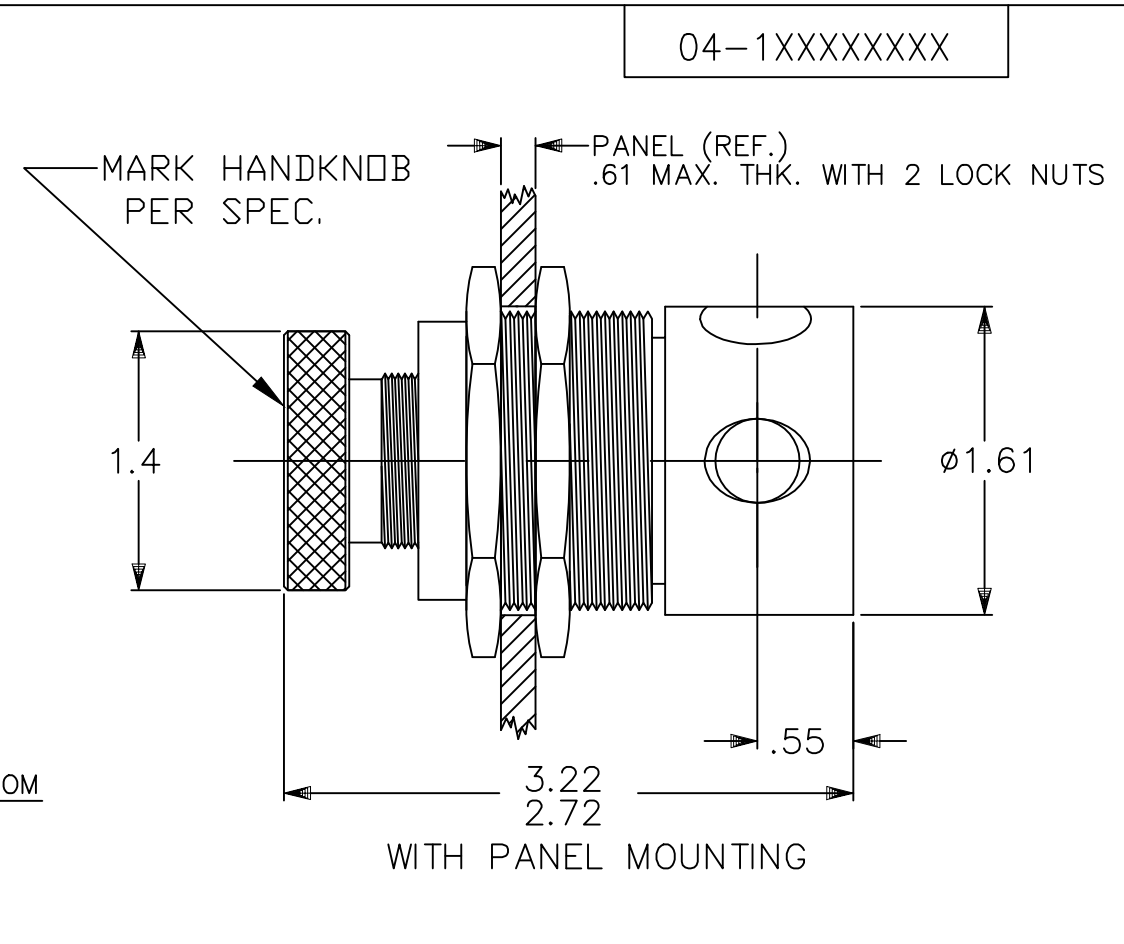


FIGURE G (2 GAUGE PORTS) FIGURE H (2 GAUGE PORTS)



| DASH NO. | INLET PRESSURE | BODY MATERIAL | TRIM      | SEAT   | OPERATING TEMPERATURE        |
|----------|----------------|---------------|-----------|--------|------------------------------|
| A        | 3500           | 316/316L      | 316 SST   | PFA    | -40°F (-40°C) TO +140 (60°C) |
| B        | 3500           | BRASS         | 316/BRASS | PFA    | -40°F (-40°C) TO +140 (60°C) |
| C        | 3500           | ALUMINUM      | 316/BRASS | PFA    | -40°F (-40°C) TO +140 (60°C) |
| D        | 3500           | 316/316L      | 316 SST   | PCTFE  | -40°F (-40°C) TO +140 (60°C) |
| E        | 3500           | BRASS         | 316/BRASS | PCTFE  | -40°F (-40°C) TO +140 (60°C) |
| F        | 3500           | ALUMINUM      | 316/BRASS | PCTFE  | -40°F (-40°C) TO +140 (60°C) |
| G        | 3500           | 316/316L      | 316 SST   | VESPEL | -40°F (-40°C) TO +165 (74°C) |
| H        | 3500           | BRASS         | 316/BRASS | VESPEL | -40°F (-40°C) TO +165 (74°C) |
| J        | 3500           | ALUMINUM      | 316/BRASS | VESPEL | -40°F (-40°C) TO +165 (74°C) |

TABLE I

| DASH NO. | OUTLET PRESSURE | PROOF PRESSURE |
|----------|-----------------|----------------|
| 1        | 0-30 PSI        | 150%           |
| 2        | 0-60 PSI        |                |
| 3        | 0-100 PSI       |                |

| DASH NO. | ADJUSTING                         |
|----------|-----------------------------------|
| A        | KNOB BLACK WITHOUT PANEL MOUNTING |
| E        | KNOB BLACK WITH PANEL MOUNTING    |

TABLE II

TABLE III

SERIES NUMBER  
04-1A3EAAPPZ

| DASH NO. | OPTIONS |
|----------|---------|
| Z        | NONE    |

| DASH NO. | INLET & OUTLET PORT SIZE/TYPE |
|----------|-------------------------------|
| PP       | 1/8 NPT                       |
| NN       | 1/4 NPT                       |

| DASH NO. | GAUGE PORT OPTION | NUMBER OF GAUGE PORTS | GAUGE PORT LOCATION |
|----------|-------------------|-----------------------|---------------------|
| AA       | NO GAUGE PORTS    | 0                     | SEE FIGURE A        |
| AF       | 1/4 NPT           | 1                     | SEE FIGURE C        |
| AG       | 1/8 NPT           | 1                     | SEE FIGURE C        |
| AT       | 1/8 NPT           | 2                     | SEE FIGURE B        |
| BF       | 1/4 NPT           | 1                     | SEE FIGURE E        |
| BG       | 1/8 NPT           | 1                     | SEE FIGURE E        |
| BT       | 1/8 NPT           | 2                     | SEE FIGURE D        |
| CS       | 1/4 NPT           | 2                     | SEE FIGURE F        |
| DS       | 1/4 NPT           | 2                     | SEE FIGURE H        |
| GF       | 1/4 NPT           | 2                     | SEE FIGURE G        |
| GG       | 1/8 NPT           | 2                     | SEE FIGURE G        |

GENERAL SPECIFICATIONS:

INLET PRESSURE: 3500 MAX. PSI  
 OUTLET PRESSURE: SEE TABLE II  
 DESIGN PROOF PRESSURE: 150% OF RATED PRESSURE  
 PRESSURE RATING: PER CRITERIA OF ANSI/ASME B31.3  
 OPERATING TEMPERATURE: SEE TABLE I  
 LEAKAGE: INTERNAL: BUBBLE TIGHT  
 EXTERNAL: <1 X 10<sup>-6</sup> atm cc/sec. He  
 FLOW CAPACITY (Cv): Cv = .06  
 INTERNAL VOLUME: 3.03 CC  
 WEIGHT: SST OR BRASS MODELS: 1 LB.  
 ALUMINUM: .5 LB.

MATERIALS CONTACTING LINE MEDIA:

SEAT: SEE TABLE I  
 FRICTION SLEEVE (INNER): PTFE  
 BODY: SEE TABLE I  
 DIAPHRAGM: ELGILOY  
 FILTER: 316 SST, BRONZE ON BRASS BODYS  
 REMAINING PARTS: 316 SST

ASSEMBLY INFORMATION:

FOR ASSEMBLY OF THIS UNIT USE SPEC:  
 04-1XXAXXXX A42128-01  
 04-1XXEXXXX A42128-02

|      |          |          |     |      |
|------|----------|----------|-----|------|
| BW   | 3-6-23   | 50132-23 | RUJ | DLP  |
| BV   | 7-17-19  | 3697-19  | DRM | WRB  |
| BU   | 12-3-18  | 51198-18 | EWN | WRB  |
| BT   | 5-31-18  | 50537-18 | BG  | WRB  |
| BS   | 3-14-18  | 50252-18 | DRM | WRB  |
| BR   | 1-9-18   | 50018-18 | MGM | WRB  |
| BP   | 10-18-17 | 50824-17 | MGM | WRB  |
| BN   | 7-11-17  | 50604-17 | DRM | WRB  |
| BM   | 5-10-17  | 50424-17 | MGM | WRB  |
| BL   | 6-12-15  | 50718-15 | KW  | WRB  |
| REV. | DATE     | ECO NO.  | BY: | APPR |

**TESCOM CORPORATION**  
 HIGH PURITY CONTROLS DIVISION  
 ELK RIVER, MN USA

INFORMATION CONTAINED ON THIS DOCUMENT IS THE PROPERTY OF TESCOM CORPORATION. NO RIGHTS ARE CONVEYED NOR IS PERMISSION TO DISCLOSE TO OTHERS GIVEN.

UNLESS OTHERWISE SPECIFIED:  
 .0 ± .020 ANGLES: ±1°  
 .00 ± .010  
 .000 ± .005

SURFACE ROUGHNESS: 100/  
 CORNER & FILLET RADII: .005-.020  
 THREADS: CLASS 2  
 REMOVE ALL BURRS

KEY CHARACTERISTICS  
 (DO NOT SCALE DRAWING)

| DRAWN BY:                |          |      | CHECKED BY: |          |             | APPROVED BY: |          |  |
|--------------------------|----------|------|-------------|----------|-------------|--------------|----------|--|
| ERW                      | 12-13-95 |      | JH          | 12-13-95 |             | JH           | 12-13-95 |  |
| NAME                     |          |      |             |          |             |              |          |  |
| INSTALLATION INFORMATION |          |      |             |          |             |              |          |  |
| SCALE:                   | 1:1      | SIZE | C           | NUMBER   | 04-1XXXXXXX |              |          |  |
| CODE NO.                 | 13669    | SHT. | 1           | OF       | 1           |              |          |  |