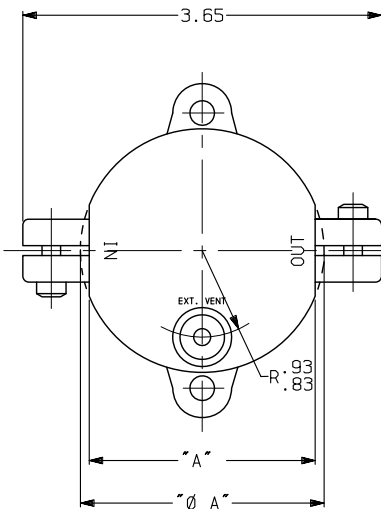
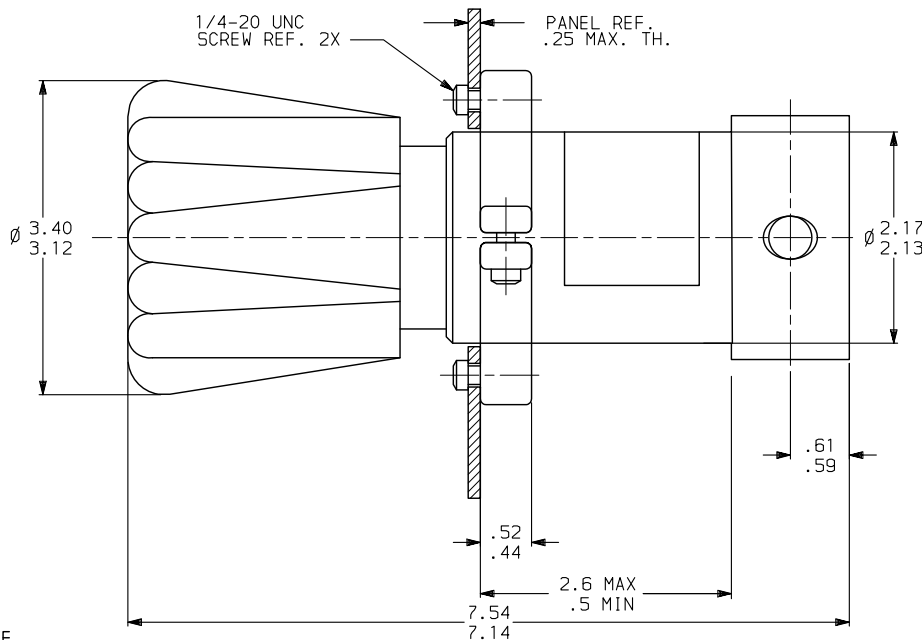
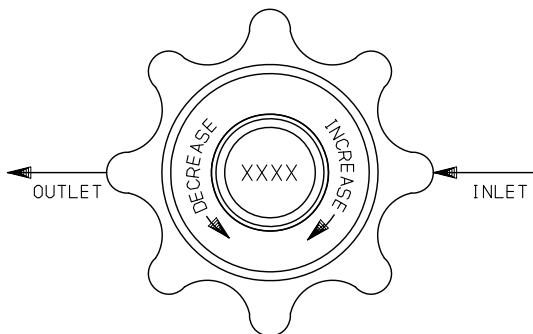


ALL DIMENSIONS REFERENCE

54-20XXXX



INLET & OUTLET PORT	"A"
ALL PORT EXCEPT NPT	2.30
NPT	Ø2.48

54-2000 SERIES REGULATOR

SPRING LOADED, HAND OPERATED, PRESSURE REDUCING, WITH INTEGRAL SEGREGATED NON-ADJUSTABLE VENT/RELIEF VALVE.

GENERAL SPECIFICATIONS:

INLET PRESSURE: 10.000 PSI MAX. ¹
 OUTLET PRESSURE: SEE TABLE II
 DESIGN PROOF PRESSURE: 150% OF RATED PRESSURE
 PRESSURE RATING: PER CRITERIA OF ANSI/ASME B31.3
 AMBIENT TEMPERATURE: SEE NOTE ³
 MEDIA TEMPERATURE: LIMIT DETERMINED BY MOST RESTRICTIVE ELEMENT (SEE TABLE III)
 LEAKAGE: 2 DROPS/MIN. @ 150 S.U.S. @ 2500 PSI
 WEIGHT: 5.25 LBS. SST BODY
 FLOW CAPACITY (Cv): .06

MATERIALS CONTACTING LINE MEDIA:

SEAT, MAIN VALVE: SEE TABLE I
 SEAT, VENT: SEE TABLE I
 O-RING: SEE TABLE III
 BACK-UP RING: SEE TABLE III
 POPPETS: 17-4 SST
 BODY: SEE TABLE I
 REMAINING PARTS: 300 SERIES SST. & 17-4 SST.

ASSEMBLY INFORMATION:

FOR ASSEMBLY OF THIS UNIT USE SPEC: A40864-01

NOTES:

¹ PRESSURE AT WHICH REGULATOR IS USED MUST BE COMPATIBLE WITH THE PRESSURE RATING OF THE REGULATOR AND PORT SIZE/TYPE PROVIDED.

² HIGH PRESSURE AND MEDIUM PRESSURE PORT TYPES ARE NOT AVAILABLE IN 1/2" SIZE.

³ MAXIMUM AMBIENT TEMPERATURE RATING IS 165°F FOR REGULATORS WITH PLASTIC HAND KNOBS OR AIR ACTUATORS. AMBIENT LOWER TEMPERATURE LIMIT IS DETERMINED BY SOFT GOODS LOW TEMPERATURE LIMIT.

TABLE I

DASH NO.	BODY MATERIAL	MAIN VALVE SEAT	VENT SEAT	REMAINING PARTS
2	303 SST	17-4 SST	17-4 SST	303 SST
6	316 SST	17-4 SST	17-4 SST	303 SST
L	316L SST	17-4 SST	17-4 SST	303 SST

TABLE II

DASH NO.	OUTLET PRESSURE
1	200-10000 PSI
2	50-6000 PSI
3	25-4000 PSI
4	15-2500 PSI
5	10-1500 PSI
6	5-800 PSI
7	5-500 PSI

TABLE III

CODE LTR.	SOFT GOODS MATERIAL			MEDIA TEMPERATURE
	DYNAMIC	STATIC	BACK-UP RING	
A	PTFE	FKM	PTFE	-15°F TO +250°F
D	BUNA-N	BUNA-N	PTFE	-30°F TO +165°F
J	TEF-ENCAP	FKM	PTFE	-15°F TO +250°F
T	FKM	FKM	PTFE	-15°F TO +250°F
Z	E.P.	EP	PTFE	-30°F TO +250°F
B	PTFE	EP	PTFE	-30°F TO +250°F
E	PTFE	BUNA-N	PTFE	-30°F TO +165°F

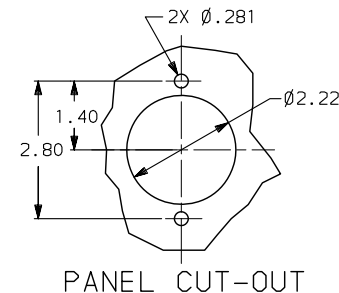
SERIES NUMBER
54-2024D24

TABLE IV

DASH NO./LTR	INLET & OUTLET PORT SIZE
4	1/4
6	3/8
8	1/2

TABLE V

DASH NO.	IN & OUT PORT TYPE	EXT. VENT PORT (1/4)
0	BSPP	BSPP
1	SAE	SAE
2	NPT	NPT
3	MS33649	MS33649
4	HIGH PRESSURE	NPT
6	MEDIUM PRESSURE	NPT



PANEL CUT-OUT

BE 6-13-19	50471-19	EWN	WRB	TESCOM CORPORATION INDUSTRIAL CONTROLS DIVISION ELK RIVER, MN USA INFORMATION CONTAINED ON THIS DOCUMENT IS THE PROPERTY OF TESCOM CORPORATION. NO RIGHTS ARE CONVEYED NOR IS PERMISSION TO DISCLOSE TO OTHERS GIVEN. UNLESS OTHERWISE SPECIFIED: .00 ± .020 ANGLES: ±1' .00 ± .010 .000 ± .005 SURFACE ROUGHNESS: 100/ CORNER & FILLET RADI: .005-.020 THREADS: CLASS 2 REMOVE ALL BURRS REV. DATE ECO NO. BY: APPR MFG. SPEC. 60301 DRAWING MADE IN THIRD ANGLE PROJECTION (DO NOT SCALE DRAWING)
BD 3-15-19	50282-19	MGM	WRB	
BC 11-13-17	51118-16	BG	WRB	
BB 6-20-17	50541-17	EWN	WRB	
BA 5-10-16	2676-16	DRM	EJB	
AY 10-12-15	5016-15	TZ	EJB	
AW 4-30-15	2768-15	DRM	EJB	
AV 3-29-12	5240-12	DRM	JDC	
AU 2-17-12	5118-12	CMB	DP	
AT 11-9-07	5660-07	SKO	DP	
REVISIONS REFERENCE DRAWING(S)				

MATERIAL:

FINISH:

DRAWN BY:	CHECKED BY:	APPROVED BY:
SJW 11-1-95	MKS 11-2-95	MKS 11-2-95

NAME: **INSTALLATION INFO.**

SCALE: 1:1	SIZE NUMBER
CODE NO. 13669	C 54-20XXXX
SHT. 1	OF 1